



ELECTRICAL WINCH S9500HS

Assembly & Operating Instructions

INTRODUCTION

Congratulations on your purchase of a winch. We design and build winches to strict specifications and with proper use and maintenance should bring you years of satisfying service.

 WARNING - Read, study and follow all instructions before operating this device. Failure to heed these instructions may result in personal injury and/or property damage.

Your winch can develop tremendous pulling forces and if used unsafely or improperly could result in property damage, serious injury or death. Throughout this manual you will find the following symbols for caution, warning and danger. Pay particular attention to the notes preceded by these symbols as they are written for your safety. Ultimately, safe operation of this device rests with you, the operator.



Indicates a potentially hazardous situation which, if not avoided, may result in minor or moderate injury. This notation is also used to alert against unsafe practices.



Indicates a potentially hazardous situation which, if not avoided could result in death or serious injury.

INCLUDED WITH YOUR WINCH

DESCRIPTION	QUANTITY
1. Winch Assembly with Wire Rope	1
2. Cap Screw M10 × 35	4
3. Lock Washer Ø10	4
4. Thinck Flat Washer Ø10	4
5. Hex Flange Nut M10	4
6. Clevis Hook w/Pin	1
7. Control box of 9500 (Supplied for Prototype)	1
8. Control box of 9500-S (Supplied for –S Type)	1
9. Power Switch supplied by your choice	
9.1 —R1, Remote control	1
9.2 —R2, Remote control	1
9.3 —R3, Remote control	1
9.4 Wireless Remote Control	1
THE FOLLOWING DESCRIPTIONS ARE OPTIONAL	
001. Snatch Block/Pulley	1
002. Roller Fairlead and Screws	1
003. Mounting Channel	1
004. SWR Tensioner	1

WINCH ACCESSORIES YOU WILL NEED

NOT INCLUDED WITH YOUR WINCH

Gloves – For handling the wire rope and hook strap.

Anchor Strap/Chain – Tree saver anchor straps are made of high quality nylon with high tensile **strengths up to 15000lbs.**

Heavy Blanket – place on the cable to absorb energy should the wire rope break.

GETTING TO KNOW YOUR WINCH

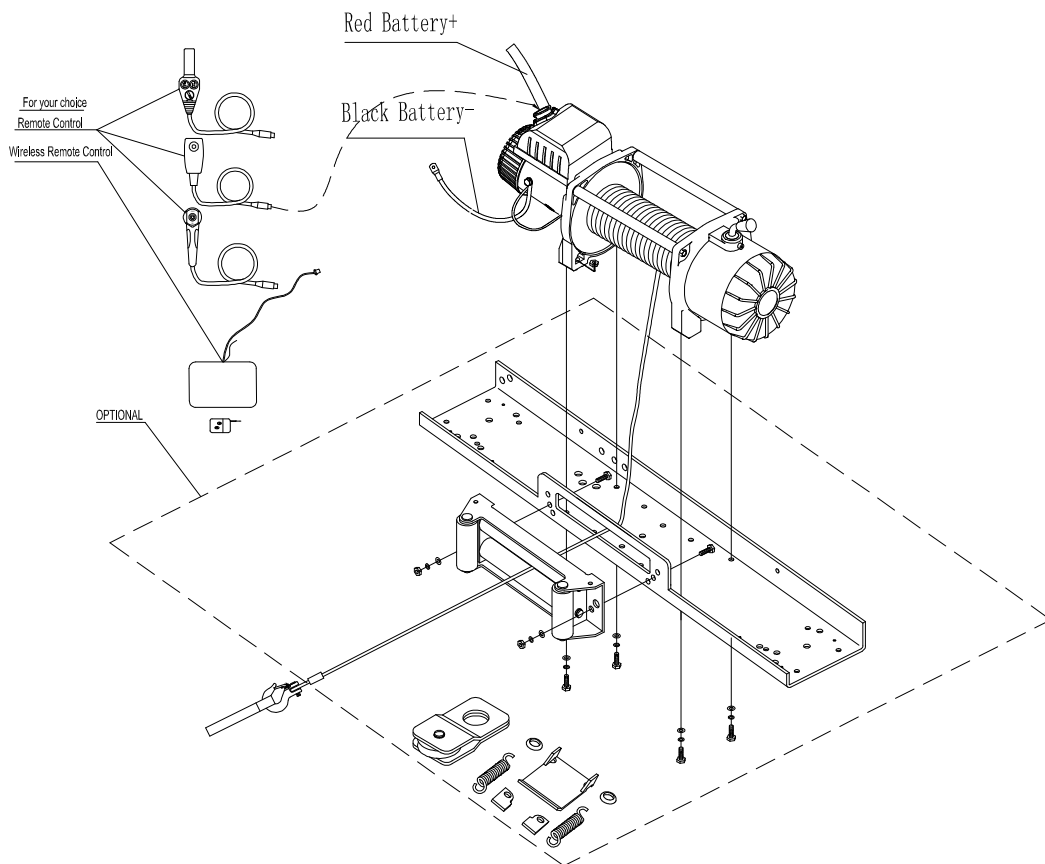
Your **9500lb** winch is a powerful piece of machinery. It is important that you understand the basics of its operation and specifications so that when you need to use it, you can use it with confidence and safety. Below is a list of the components of your winch and their use. Practices using your winch before you are in a situation to need to use it.

1. Motor: Your 5.5/8.3hp motor is powered by a 12/24 volt battery and provides power to the gear mechanism which turns the drum and winds the wire rope;
2. Winch Drum: The winch drum is the cylinder on which the wire rope is stored. It can feed or wind the rope depending on the remote winch switch.
3. Wire Rope: Your winch has a **3/8"X85'** galvanized aircraft cable designed specifically for load capacity of **9500lbs**. The wire rope feeds onto the drum in the "under wind" position through the roller fairlead and is looped at the end to accept the clevis hook pin.
4. Roller Fairlead: When using the winch at an angle the roller fairlead acts to guide the wire rope onto the drum and minimizes damage to the wire rope from abrasion on the winch mount or bumper.
5. Mechanic Gear System: The reduction gears convert the winch motor power into extreme pulling forces.
6. Braking System: Braking action is automatically applied to the winch drum when the winch motor is stopped and there is a load on the wire rope. The braking action is applied by a separate mechanical brake.
7. Free Spooling Clutch: The clutch allows the operator to manually disengage ("Out") the spooling drum from the gear train, free spool. Engaging the clutch ("In") locks the winch into the gear system.
8. Solenoid: Power from the vehicle battery flows through the weather sealed switch before being directed to the winch motor.
9. Remote Switch: The Power switch lead has a dual switch for powering in or powering out your winch drum. The Power switch leads allow you to stand clear of the wire rope when the winch is under load.
10. Wireless Remote **Control**: allow you control winch far from 50 Ft away.

11. Universal Flat Bed **Mounting Channel**: Your winch has been optional supplied with a flat bed **mounting channel** that can be mounted to most flat surfaces such as trailers, step bumpers, truck beds, etc. The **mounting channel** also has holes to accept your roller fairlead.
12. Snatch Block: If Your winch were supplied with a snatch block that, used properly, can double the pulling power of winch, or change your pulling direction without damaging the wire rope. We recommend you to use double line and snatch block for pulling over 85% related line pull.

WINCH ASSEMBLY AND MOUNTING

9500lbs:



1. Your 9500lb winch is designed with a bolt pattern that is standard in this class of winch. Many winch mounting kits are available that utilize this bolt pattern for the most popular vehicle and mounting channels. If you cannot find a kit locally, contact us and we will provide you with the name of a dealer near you. If you will utilize the mounting channel you must ensure that it is mounted on a flat surface so that the three major sections (motor, drum and gear housing) are properly aligned. Proper alignment of the winch will allow even distribution of the full rated load.
2. Start by connecting the Roller Fairlead (Part# 950900) to the Mounting Channel (Part# 951000) using 2 each of the Cap Screw M10 X 35 (Part# 950002), Flat Washer (Part# 950004), Lock Washer (Part# 950003) and securing with Nut M10 (Part# 950005) (Make sure the screw is placed through the mounting channel and roller fairlead from inside the channel. This will allow enough clearance for the winch to be placed in the channel without obstruction.)
3. Assemble the winch to the Mounting Channel (Part# 951000) by first pulling and releasing the clutch knob to "Off" position (Free Spooling). Pull out a few inches of cable from the drum and feed the wire loop through the opening in the front of the mounting channel and roller fairlead. Now, using the remaining M10 x 35 Cap Screws (Part# 950002), Flat Washer (Part# 950004), Lock Washer (Part# 950003) and Nut M10 (Part# 950005) secure the winch to the mounting channel.
4. Connect the battery and motor leads as the drawing above every type of winch is different each other.



CAUTION – Batteries contain gases which are flammable and explosive. Wear eye protection during installation and remove all jewelry. Do not lean over battery while making connections.

5. Assemble the Clevis Hook to the cable. Take off the pin from the Clevis Hook, connect the Clevis Hook to the cable and mount the pin back to the Clevis Hook.
6. Always use the Hand Saver when free-spooling and re-spooling the wire rope. Using the Hand Saver keeps your hands and fingers away from the rotating drum.

7. Check for proper drum rotation. Pull and turn the clutch knob to the “off” position (Free-spooling). Pull out some cable from the drum, and then turn the clutch knob to the “In” position to engage the gears. Press the cable out button on the power switch. If the drum is turning and releasing more cable then your connections are accurate. If the drum is turning and collecting more cable then reverse the leads on the motor. Repeat and check rotation.

SAFETY PRECAUTIONS

⚠ WARNING ⚠

- ⚠ WARNING – DO NOT EXCEED RATED CAPACITY.**
- ⚠ WARNING – Intermittent use only.**
- ⚠ WARNING - Do not use winch in lifting or moving or persons.**
- ⚠ WARNING - A minimum of five wraps of cable around the drum barrel is necessary for pulling and holding the rated load. The cable clamp is not designed to hold the load without 5 wraps of cable around the barrel.**
- ⚠ WARNING - Keep yourself and others a safe distance to the side of the cable when under tension.**
- ⚠ WARNING – The wire rope may break before the motor stalls. For heavy loads at or near rated capacity, use a pulley block/snatch block to reduce the load on the wire rope.**
- ⚠ WARNING -Never step over a cable, or near a cable under load.**
- ⚠ WARNING - Don’t move the vehicle to pull a load (towing) on the winch cable. This could result in cable breakage.**
- ⚠ WARNING-Disconnect the remote control and battery leads when not in use.**
- ⚠ WARNING- Do not exceed maximum pull rating. Avoid “shock loads” by using the control switch intermittently to take up the slack in the wire rope. “Shock loads” can far exceed the rate capacity for the wire rope and drum.**

⚠️ WARNING- Do not exceeds maximum line pull ratings shown on the tables.

⚠️ WARNING-When re-spooling the cable, ensure that the cable spools in the under-wind position with the cable entering the drum from the bottom, not the top. To re-spool correctly, and while wearing gloves, keep a slight load on the cable while pushing the remote button to draw in the cable. Walk toward the winch not allowing the cable to slide through your hands. Do not let your hands get within 12" of the winch while re-spooling. Turn off the winch and repeat the procedure until a few feet of cable is left. Disconnect the remote control and finish spooling by hand by rotating the drum by hand with the clutch disengaged. Keep hands clear of the fairlead and drum while the winch is under power.

⚠️ Do not use as a hoist. Do not use for overhead lifting.

⚠️ Failure to heed these warnings may result in personal injury and/or property damage.

⚠️ WARNING - Use gloves to protect hands when handling the cable. Never let the cable slide through your hands.

⚠️ WARNING – Never connect the cable back to itself.


Apply blocks to the wheels of the vehicle when on an incline.

No modifications, alterations, or deviation to the winch are authorized by the manufacturer and **SHALL** not be made.

Duration of winching pulls should be kept as short as possible. If the motor becomes uncomfortably hot to the touch, stop winching immediately and let it cool down for a few minutes. Do not pull for more than one minute at or near the rated load.

⚠️ CAUTION - If the motor stalls do not maintain power to the winch. Electric winches are designed and made of intermittent use and should not be used in constant duty applications.

 **CAUTION** - Never release the free-spool clutch when there is a load on the winch.

 **CAUTION** - Use hand saver hook when handling the hook for spooling or un-spooling the wire rope.

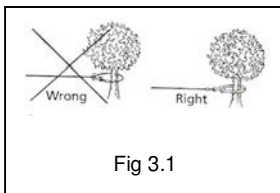
GENERAL TIPS FOR SAFE OPERATION

- The **9500lbs** and its all derivative types are rated at **9500** lbs capacity when spooling the first rope layer on the drum. Overloads can damage the winch/motor/ or wire rope. For loads over **8000** lbs. we recommend the use of the pulley block/snatch block to double the wire rope line. This will aid in two ways: a) reduce the number of rope layers on the drum, as well as, b) reduce the load on the wire rope by as much as 50%. When doubling the line back to the vehicle, attach to the frame or other load bearing part.
- The vehicle engine should be kept running during operation of the winch to minimize battery drain and maximize power and speed of the winch. If the winch is used for a considerable time with the engine off the battery may be drained and too weak to restart the engine
- Get to know your winch before you actually need to use it. We recommend that you set up a few test runs to familiarize yourself with rigging techniques, the sounds your winch makes under various loads, the way the cable spools on the drum, etc.
- Inspect the wire rope and equipment before each use. A frayed or damaged rope shall be replaced immediately. Use only manufacturer's identical replacement rope with the exact specifications.
- Inspect the winch installation and bolts to ensure that all bolts are tight before each operation.
- Never connect the cable back to itself. This will cause cable damage. Always use a snatch block, sling or chain of suitable strength as shown in the illustrations.
- Store the remote control inside your vehicle in a place that it will not be damaged.
- Any winch that appears to be damaged in any way, is found to be worn, or operates abnormally **SHALL BE REMOVED FROM SERVICE UNTIL REPAIRED**. It is recommended that the necessary repairs be made by a manufacturer's authorized repair facility.

- Pull only on areas of the vehicle as specified by the vehicle manufacturer.
- Only attachments and/or adapters supplied by the manufacturer shall be used.

RIGGING TECHNIQUES

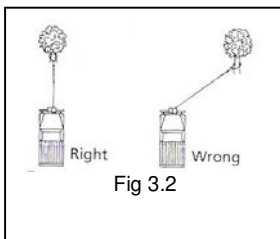
Self Recovery



Locate a suitable anchor such as a strong tree trunk or boulder.

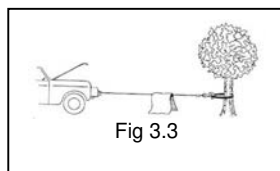
Always use a sling as an anchor point. **⚠ CAUTION** Do not attach the clevis hook back onto the cable as this could cause damage to the cable.

As shown in Fig 3.1

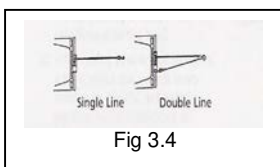


⚠ Do not winch from an acute angle as the wire rope will pile up on one side of the drum causing damage to wire rope and the winch. Fig 3.2

Short pulls from an angle can be used to straighten the vehicle. Long pulls should be done with the wire rope at a 90° angle to the winch/vehicle.

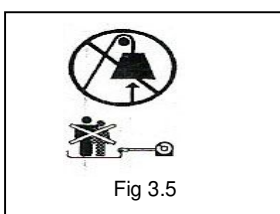


When pulling a heavy load, place a blanket or jacket over the wire rope five or six feet from the hook. In the event of a broken cable it will dampen the snap back. For additional protection open the hood of the vehicle as shown in Fig 3.3



For pulls over **8000lbs**, we recommend the use of the snatch block/pulley block to double line the wire rope. Fig 3.4

This reduces the load on the winch and the strain on the rope by approximately 50%.



⚠ WARNING - Never use your winch for overhead hoisting or for lifting people or moving people.

WINCHING TECHNIQUES A-Z

- a. Take time to assess your situation and plan your pull.
- b. Put on gloves to protect your hands.
- c. Disengage the clutch to allow free-spooling and also save battery power.
- d. Attach the hand saver hook to the clevis hook.
- e. Pull out the wire rope to your desired anchor point using the hand saver hook.
- f. Secure the clevis hook to the anchor point: Sling, chain or snatch block. Do not attach the hook back onto the wire rope.
- g. Engage the clutch.
- h. Connect the remote control to the winch.
- i. Start your engine to ensure power is being replenished to the battery.
- j. Power in the wire rope guiding the wire under tension to draw up the slack in the wire. Once the wire is under tension stand well clear. Never step over the wire rope.
- k. Double check your anchors and make sure all connections are secure.
- l. Inspect the wire rope. Make sure there are at least 5 wraps of wire rope around the winch drum.
- m. Drape a blanket or jacket over the wire rope approximately 5 to 6 feet from the hook. Open the hood for added protection.
- n. Clear the area. Make sure all spectators are well back and that no one is directly in front or behind the vehicle or anchor point.
- o. Begin winching. Be sure that the wire rope is winding evenly and tightly around the drum. The vehicle that is being winched can be slowly driven to add assistance to the winching process. Avoid shock loads; keep the wire rope under tension.
- p. The vehicle to be winched should be placed in neutral and the emergency brake released. Only release the brake pedal when under full tension. Avoid shock loads to the winch. This can damage the winch, rope and vehicle.
- q. The winch is meant for intermittent use. Under full load with a single line rig do not power in for more than a minute without letting the motor cool down for a few minutes and then resume the winching operation.
- r. The winching operation is complete once the vehicle is on stable ground and is able to drive under its own power.
- s. Secure the vehicle. Be sure to set the brakes and place the vehicle in park.


- t. Release the tension on the wire rope. The winch is not meant to hold the vehicle for long periods of time.
- u. Disconnect the wire rope from the anchor.
- v. Rewind the wire rope. Make sure that any wire already on the drum has spooled tightly and neatly. If not, draw out the wire and re-spool from the point where the rope is tight.
- w. Keep your hands clear of the winch drum and fairlead as the wire rope is being drawn in.
- x. Secure the hook and hook strap.
- y. Disconnect the remote control and store in a clean, dry place.
- z. Clean and inspect connections and mounting hardware for next winching operation.

MAINTENANCE

1. Periodically check the tightness of mounting bolts and electrical connections. Remove all dirt or corrosion and always keep clean.
2. Do not attempt to disassemble the gear box. Repairs should be done by the manufacturer or an authorized repair center.
3. The gear box has been lubricated using a high temperature lithium grease and is sealed at the factory. No internal lubrication is required.

REPLACING THE WIRE ROPE

1. If the wire rope has become worn or is beginning to show signs of strands breaking, it must be replaced before being used again. To do this, remove the defective rope by free spooling. Remove the screw M6x10 (Part# 950008) on the drum and release the rope.
2. Insert the end of the new rope and secure the screw M6 x 10 tightly.
3. Engage the clutch and re-spool the new rope on the drum keeping tension on the rope as it spools. Ensure that the rope is respooling in the under wind position.

 **WARNING - Only replace the wire rope with the identical replacement part recommended by the manufacturer.**

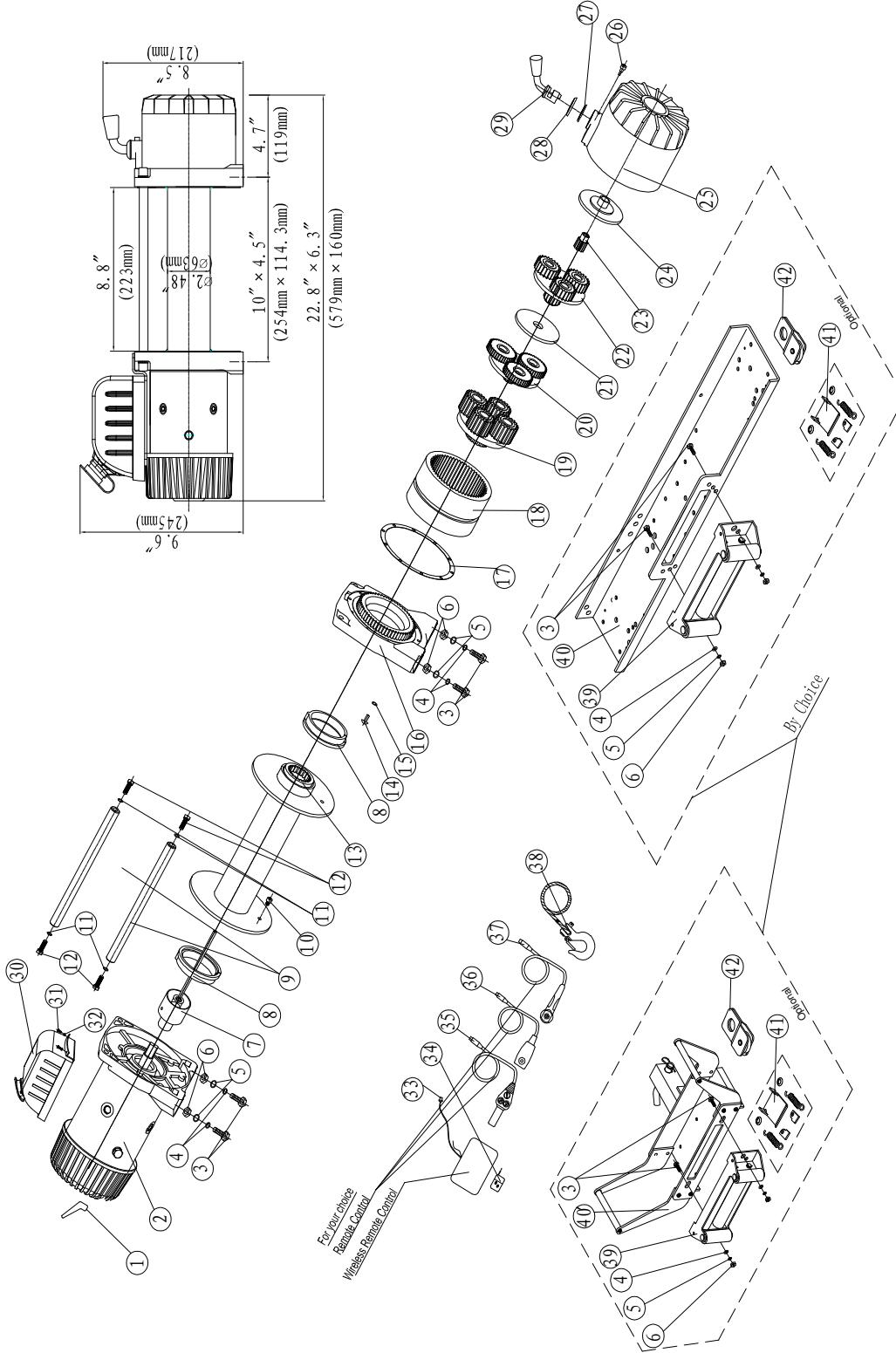
TROUBLE SHOOTING

SYMPTOM	POSSIBLE CAUSE	SUGGESTED ACTION
Motor does not turn on	<ul style="list-style-type: none"> -Switch Assembly not connected properly -Loose battery cable connections -Defective Switch Assembly -Defective motor -Water has entered motor 	<ul style="list-style-type: none"> -Insert Switch Assembly all the way into the connector. -Tighten nuts on all cable connections. -Replace Switch Assembly. -Check for voltage at armature port with Switch pressed. If voltage is present, replace motor. -Allow to drain and dry. Run in short bursts without load until completely dry.
Motor runs but cable drum does not turn	<ul style="list-style-type: none"> -Clutch not engaged 	<ul style="list-style-type: none"> -Turn clutch to the "In" position. If problem persists, a qualified technician needs to check and repair.
Motor runs slowly or without normal power	<ul style="list-style-type: none"> -Insufficient current or voltage 	<ul style="list-style-type: none"> -Battery weak, recharge. Run winch with vehicle motor running. -Loose or corroded battery cable connections. Clean, tighten, or replace.
Motor overheating	<ul style="list-style-type: none"> -Winch running time too long 	<ul style="list-style-type: none"> -Allow winch to cool down periodically.
Motor runs in one direction only	<ul style="list-style-type: none"> -Defective Switch Assembly 	<ul style="list-style-type: none"> -Loose or corroded battery cable or motor cable connections. Clean and tighten. -Repair or replace switch assembly.

WINCH ASSEMBLY DRAWING

9500lbs (prototype)

Winch Assembly Drawing



WINCH PARTS LIST (9500lbs Prototype)

No.	Part #	Qty	Description	Remark
1	950001	1	Terminal Protect	
2	950100	1	Motor Assembly	
3	950002	6	Cap Screw M10 x 35	
4	950003	6	Lock Washer Φ10	
5	950004	6	Think Flat Washer Φ10	
6	950005	6	HeX Flange Nut M10	
7	950200	1	Break / Shaft Assembly	
8	950006	2	Bushing—Drum	
9	950007	2	Tie Bar	
10	950008	1	Cap Screw M6 x 10	
11	950009	4	Think Flat Washer Φ8	
12	950010	4	Cap Screw M8 x 25	
13	950300	1	Drum Assembly	
14	950011	10	Screw M4 x 25	
15	950012	10	Lock Washer Φ4	
16	950013	1	End Bearing	
17	950014	1	Gasket	
18	950015	1	Gear—Ring	
19	950400	1	Gear Carrier Assembly (Input)	
20	950500	1	Gear Carrier Assembly (Intermediate)	
21	950016	1	Trust Washer	
22	950600	1	Gear Carrier Assembly (Output)	
23	950017	1	Gear—Input Sun	
24	950018	1	Trust Washer	
25	950019	1	Gear—Housing	
26	950020	1	Clutch Screw	
27	950021	1	Ring Seals	
28	950022	1	Clutch Cover	
29	950023	1	Clutch	
30	950700	1	Control Box	
31	950024	2	Screw M5×10	
32	950025	2	Lock Washer Ø5	
33	95WRR	1	Wireless Remote Control Receiver	By Choice
34	95WRS	1	Wireless Remote Control Switch	By Choice
36	95RS	1	Remote Control Switch (R1)	By Choice
36	95RS	1	Remote Control Switch (R2)	By Choice
37	95RS	1	Remote Control Switch (R3)	No Choice
38	950800	1	Cable Assembly	
Optional Not Enclosed				
39	950900	1	Roller Fairlead	
40	951000	1	Mounting Channel	By Choice
40'		1	Speed Mount™ Hitch Adapter	By Choice
41	951100	1	Tensioner Of Steel Wire Supplied Assembly	
42	951200	1	Snatch Block / Pulley	

9500lbs SPECIFICATION

Rated line pulls:	9500 lbs (42.23kN)
Gear reduction ratio:	110:1 (12V, 24V)
Motor:	Series Wound (Input Power) 8.6 hp / 6.4kW (DC 12V); 10.7hp /8.0kW (DC 24V)
Overall dimensions:	22.8" (L) x6.3" (W) x9.6" (H) 579(L) mm X 160 (W) mm X 245 (H) mm
Drum size:	Ø2.48" (D) x 8.8" (L) Ø 63(D) mm x224(L) mm
Cable:	Ø 3/8" (D) x 85'(L) Ø 9.2mm (D) x 26m (L)
Weight:	69.7lbs (31.6 kgs) 70.5lbs (32kgs) (-S TYPE)

DUTY CYCLE

Line speed and motor current (First layer)

Line pull lbs (kN)	Line speed ft/min (m/min)		Motor current Amps (Max)	
	12V DC	24V DC	12V DC	24V DC
0	50.2 (15.3)	53.15 (16.2)	80	45
4000 (17.78)	17.06 (5.2)	18.37 (5.6)	300	175
6000 (26.67)	11.81 (3.6)	15.75 (4.8)	400	230
8000 (35.56)	9.51 (2.9)	13.12 (4.0)	470	300
9500 (42.23)	8.86 (2.7)	11.81 (3.6)	530	335

Line pull and cable capacity

Layer of cable	Rated line pull per Layer lbs (kN)	Cable capacity per Layer ft (m)
1	9500 (42.23)	15.1 (4.6)
2	7600 (33.78)	34.1 (10.4)
3	6200 (27.56)	57.7 (17.6)
4	5400 (24.00)	83.7 (25.5)

WARRANTY

Your Power Equipment winch has been manufactured and tested to the highest standards. Please ensure you read and understand the assembly and operating instructions before use. Failure to comply with these instructions or any improper use of the equipment will terminate the warranty.

Please ensure you record the information below:

Distributor	
Date of Purchase	
Invoice No	
Serial No	

In the unlikely event you experience problems, contact the distributor with this information.